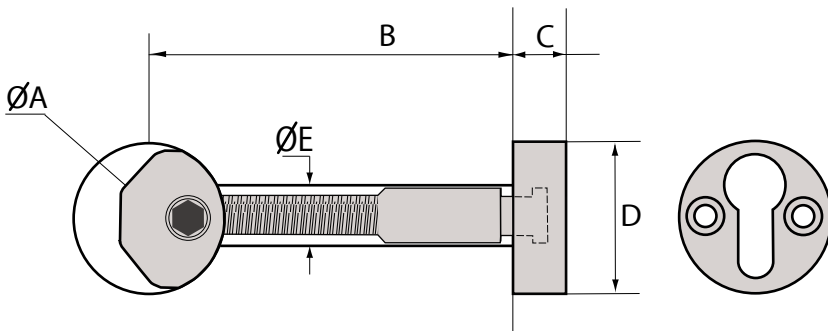


DATA SHEET

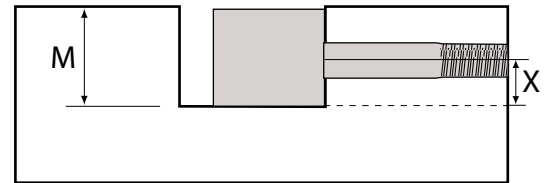


QT 13.800 Straight Slipfix Connector

SPECIFICATION



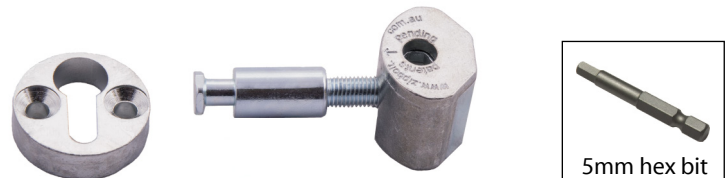
SHAFT CENTRE CALCULATION



M= Minimum Bore Depth 20mm (51/64 inches)
X = Shaft Centre 10mm (25/64 inches)

Measurements

	Millimitres	Inches
A	25	1
B	38	1 1/2
C	7	9/32
D	25	1
E	9.5-10	3/8



5mm hex bit